

MISCELLANEOUS ORTHOPEDIC

The miscellaneous orthopedic category includes a wide range of specialized instruments that support various surgical tasks not covered under standard classifications. These tools are designed to assist in handling, positioning, and procedural efficiency across different orthopedic techniques. Each instrument is crafted with the same commitment to quality, precision, and durability, ensuring reliable performance in every surgical setting.



LEAD HANDS

Oxidation of lead surfaces is a normal process. To prolong the life of lead hands, autoclave temperatures should not exceed 248° F (120° C). Avoid using chemical sterilization as it can cause severe corrosion.



CODE #	DESCRIPTION
AW49090	Adult, 14-1/2" (37 cm)
AW49092	Child, 9-1/2" (24 cm)

LEAD HANDS

Thinner and more flexible model. Longer fingers wrap on ends, eliminating side tabs.



CODE #	DESCRIPTION
AW49093	Adult, 2 mm thick, 9-1/2" (24 cm)

TAYLOR PERCUSSION HAMMER



CODE #	DESCRIPTION
AW28468	8" (20.5 cm)

RING CUTTERS

FINGER RING CUTTER



CODE #	DESCRIPTION
AW29430	Chrome, with saw blade, 6-1/4" (16 cm)
AW29434	Saw blade only

DIAGNOSTIC INSTRUMENTS

BUCK NEURO HAMMER STAINLESS

Stainless steel with brush and needle



CODE #	DESCRIPTION
AW28492	7-3/4" (19.5 cm)

WARTENBERG NEUROLOGICAL PIN WHEEL



CODE #	DESCRIPTION
AW28514	7" (18 cm)

SPECIALTY HAND INSTRUMENTS

JOHNSON-TUCKER HOOK AND FORK



CODE #	DESCRIPTION
AW69790	Double-ended, delicate, 6-1/2" (16.5 cm)

PROBE AND PACKER



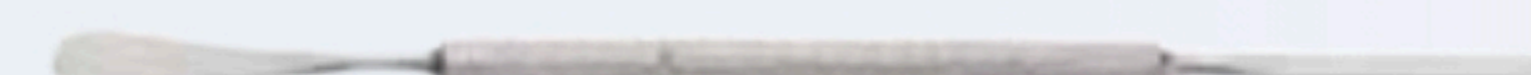
CODE #	DESCRIPTION
AW69495	Double-ended, 1 mm and 2 mm ends, 6" (15 cm)

EXCAVATOR AND PACKER



CODE #	DESCRIPTION
AW69502	Double-ended

SPATULA AND PACKER



CODE #	DESCRIPTION
AW69498	Double-ended, 5-3/4" (14.5 cm)

CORN KNIVES

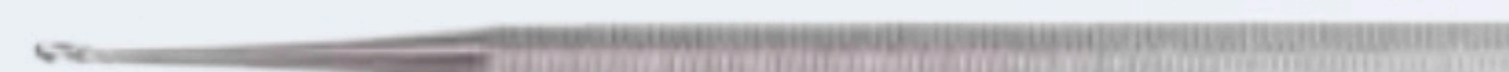
Single-ended.



CODE #	DESCRIPTION
AW69622	Soft Corn Knife, #45, straight, round blade
AW69623	Soft Corn Spoon Knife, slightly curved, oval blade
AW69625	Corn Knife, curved

VERUCCA CURETTE EXCAVATOR

With McGlamry Bullneck. Will resist bending



CODE #	DESCRIPTION
AW69457	Single-ended, straight, 4 mm without hole, 5" (12.5 cm)

CURETTE EXCAVATORS



CODE #	DESCRIPTION
AW69488	Double-ended, 1.5 mm and 2.0 mm ends, 5-1/2" (14 cm)
AW69492	Double-ended, 1.5 mm and 2.5 mm ends, 5-1/2" (14 cm)

CURETTE EXCAVATORS

Single-ended, with hole, 5" (12.5 cm).



CODE #	DESCRIPTION
AW69468	#58, 1.0 mm
AW69478	#58, 1.5 mm
AW69480	#58, 2.0 mm
AW69484	#58, 2.5 mm

CURETTE EXCAVATORS

Single-ended, without hole, 5" (12.5 cm)



CODE #	DESCRIPTION
AW69459	#57, 1.0 mm
AW69461	#57, 1.5 mm
AW69463	#57, 2.0 mm
AW69465	#57, 2.5 mm

LOCKE ELEVATORS

With McGlamry Bullneck. Will resist bending



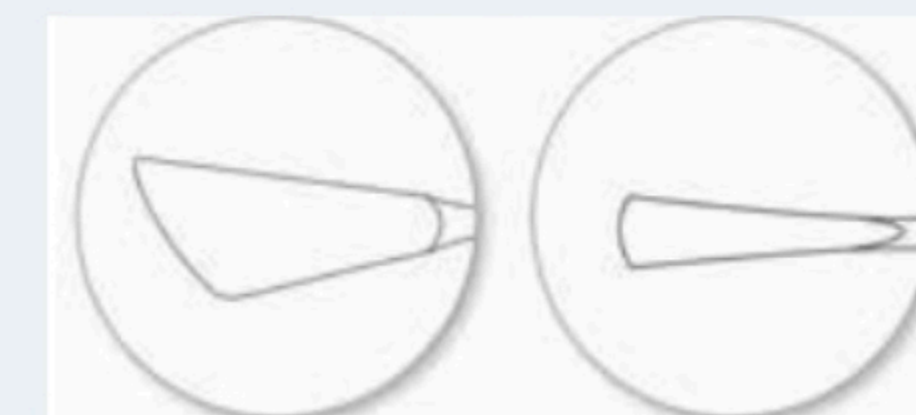
CODE #	DESCRIPTION
AW69825	Narrow blade, single-ended, 4-1/2" (11.5 cm)
AW69826	Wide blade, single-ended, 5" (12.5 cm)

GOLF STICK KNIVES



CODE #	DESCRIPTION
AW69618	#41
AW69620	#43

CHISELS



CODE #	DESCRIPTION
AW69640	Curved, medium
AW69645	Curved, extra-large
AW69650	Curved, spade pattern

MISCELLANEOUS ORTHOPEDIC

PELVIC BALL SPIKE



CODE #	DESCRIPTION
	Straight, 11-3/4" (30 cm)
AW47921	Spiked disk only

KUNTSCHER SKIN PROTECTOR



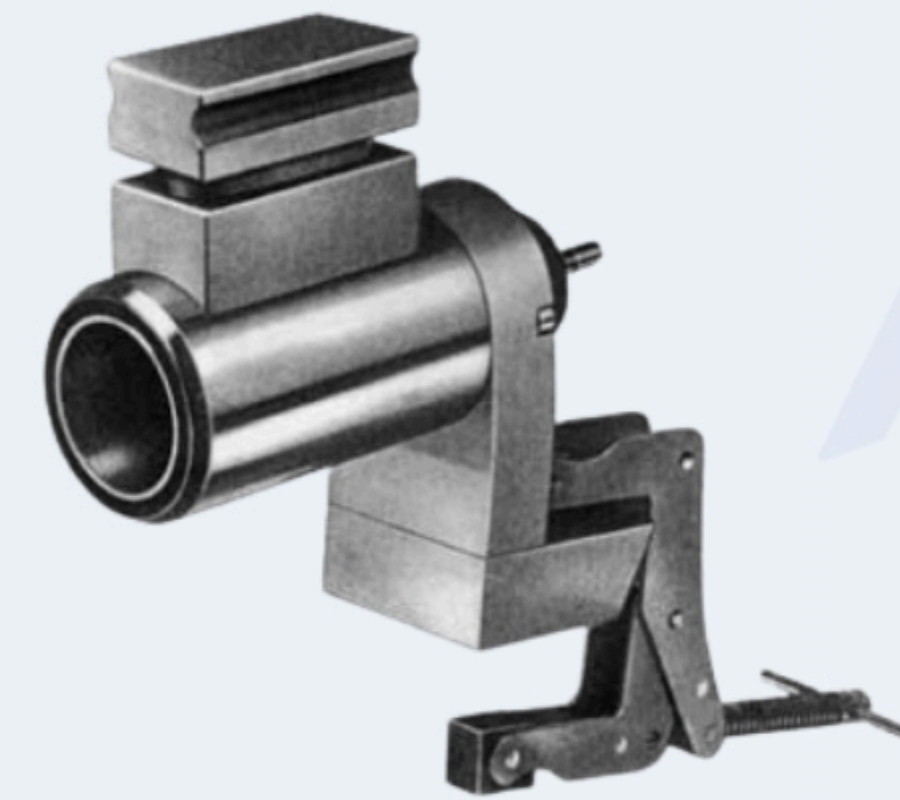
CODE #	DESCRIPTION
AW48297	6-1/8" (15.5 cm)

KUNTSCHER EXTRACTORS



CODE #	DESCRIPTION
AW48288	Femoral, 19-1/8" (48.5 cm)

BONE MILL



CODE #	DESCRIPTION
AW1011	With crank and table clamp

KUNTSCHER REAMER



CODE #	DESCRIPTION
AW48301	Cannulated, 15" (38 cm)