

CHISELS AND GOUGES

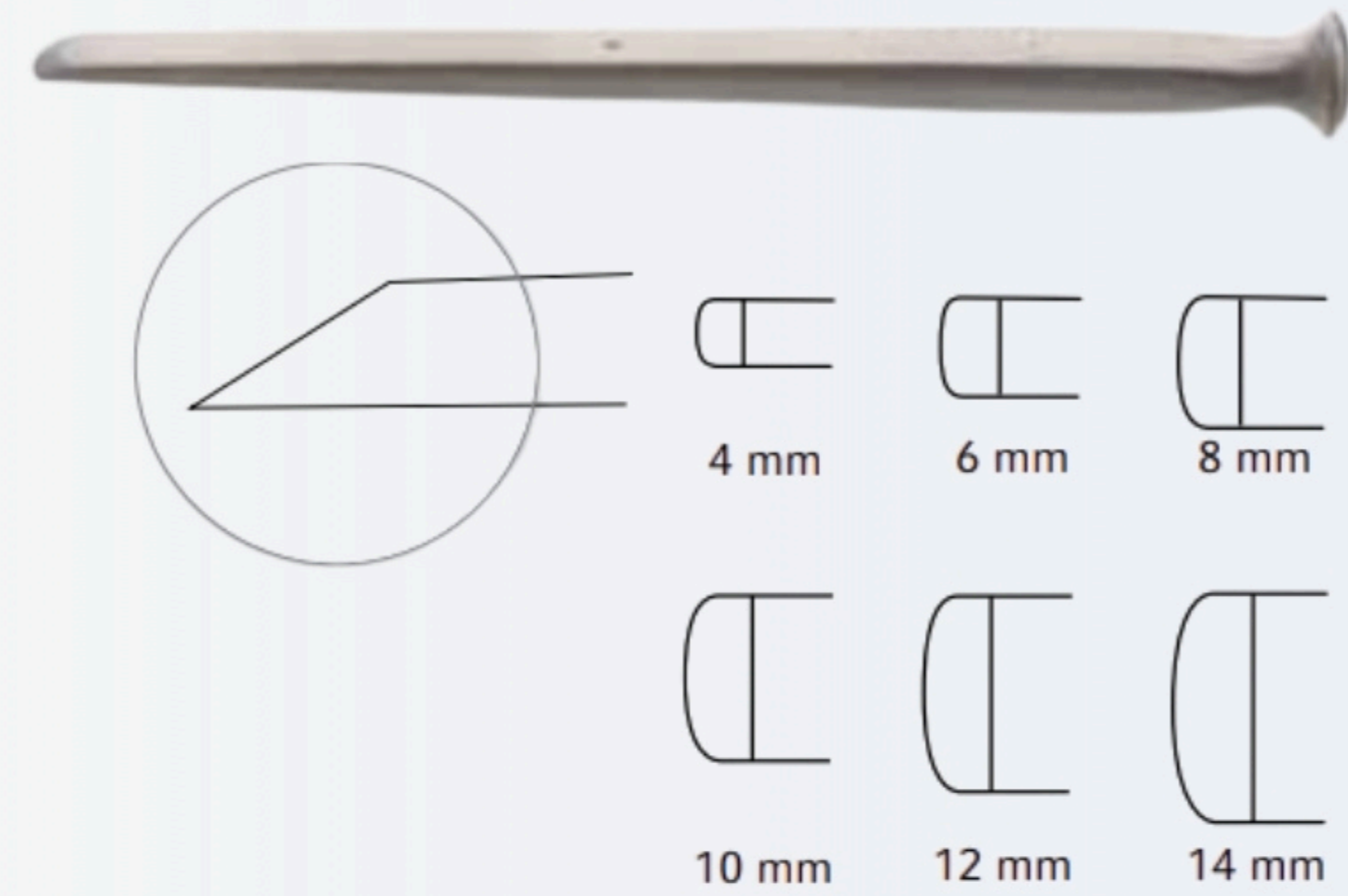
Chisels and gouges are essential instruments for cutting, shaping, and contouring bone in orthopedic surgery. Chisels provide clean, straight cuts, while gouges are ideal for scooping or carving curved surfaces. Crafted from high-quality surgical steel, our instruments ensure sharpness, durability, and precise control for efficient bone work with minimal tissue disruption.



CHISELS

ALEXANDER CHISELS

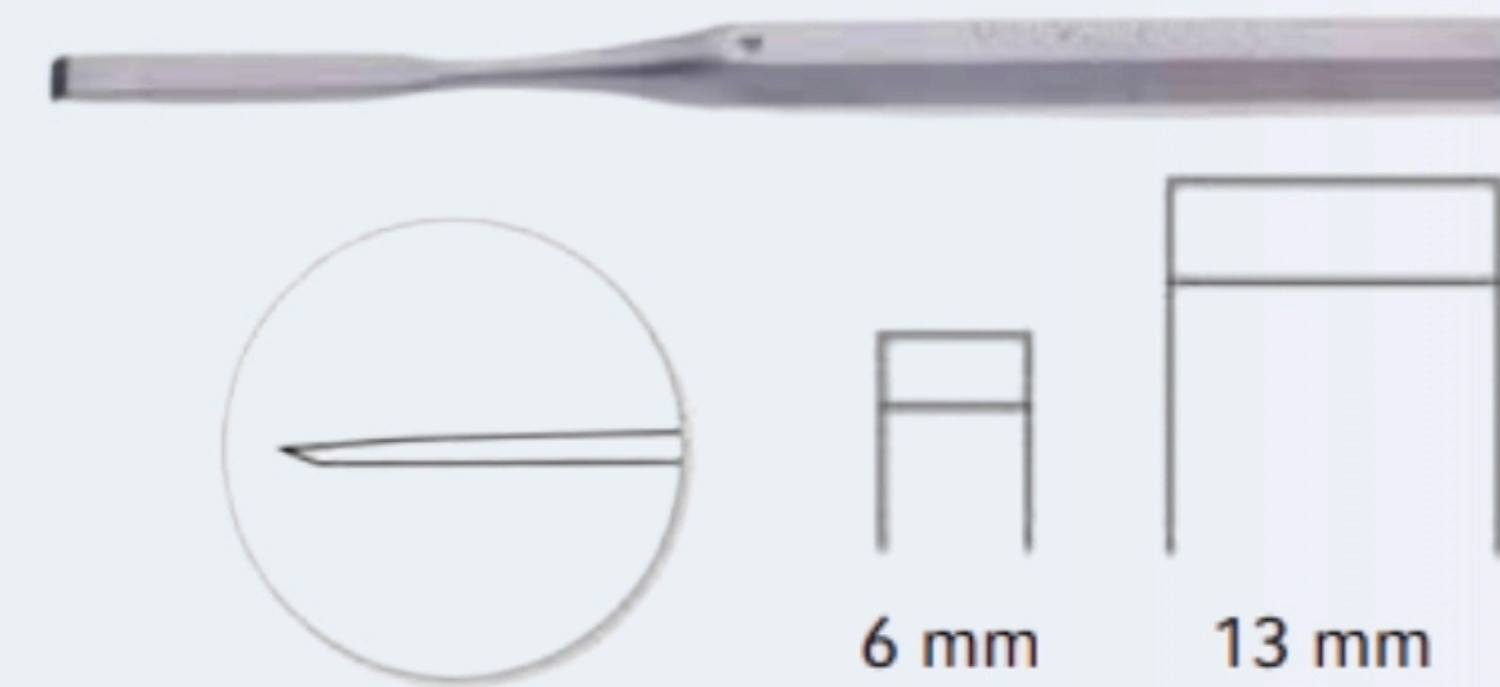
7-1/8" (18 cm).



CODE #	DESCRIPTION
AW49040	4 mm
AW49041	6 mm
AW49042	8 mm
AW49043	10 mm
AW49044	12 mm
AW49045	14 mm

HOKE CHISELS

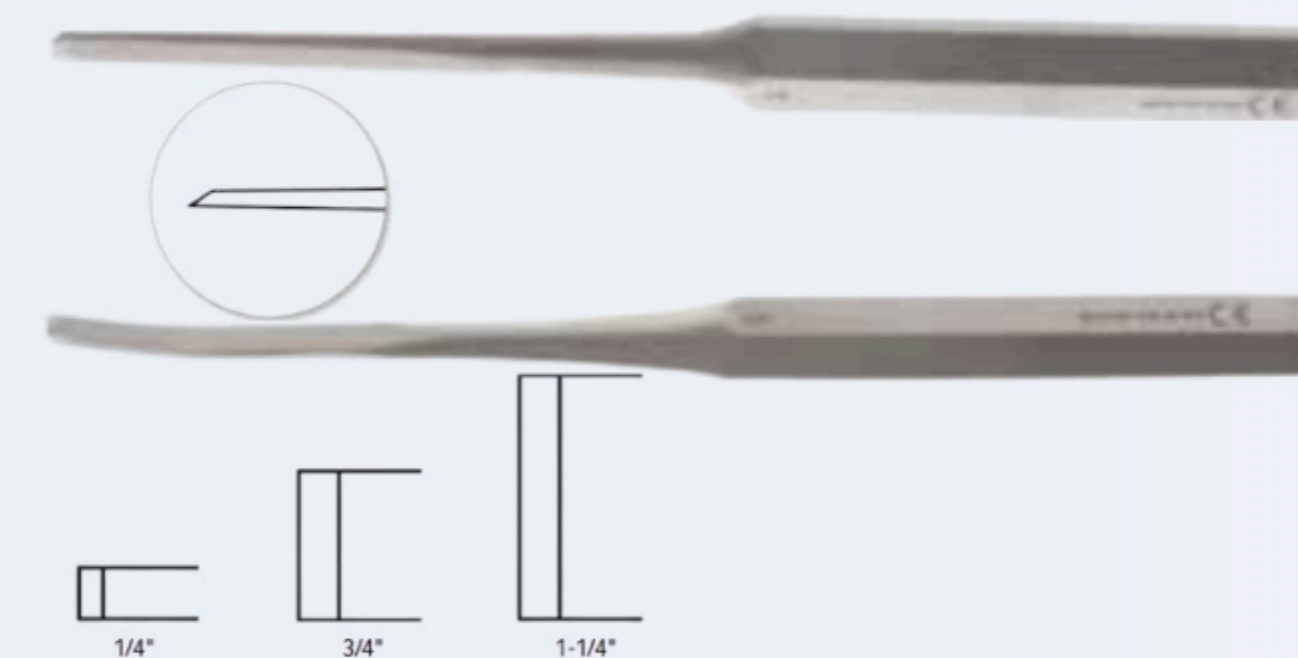
Straight, 5-1/4" (13.5 cm).



CODE #	DESCRIPTION
AW46505	3/16" (4 mm)
AW46506	1/4" (6 mm)
AW46507	3/8" (10 mm)
AW46508	1/2" (13 mm)
AW46509	3/4" (19 mm)

HIBBS CHISELS

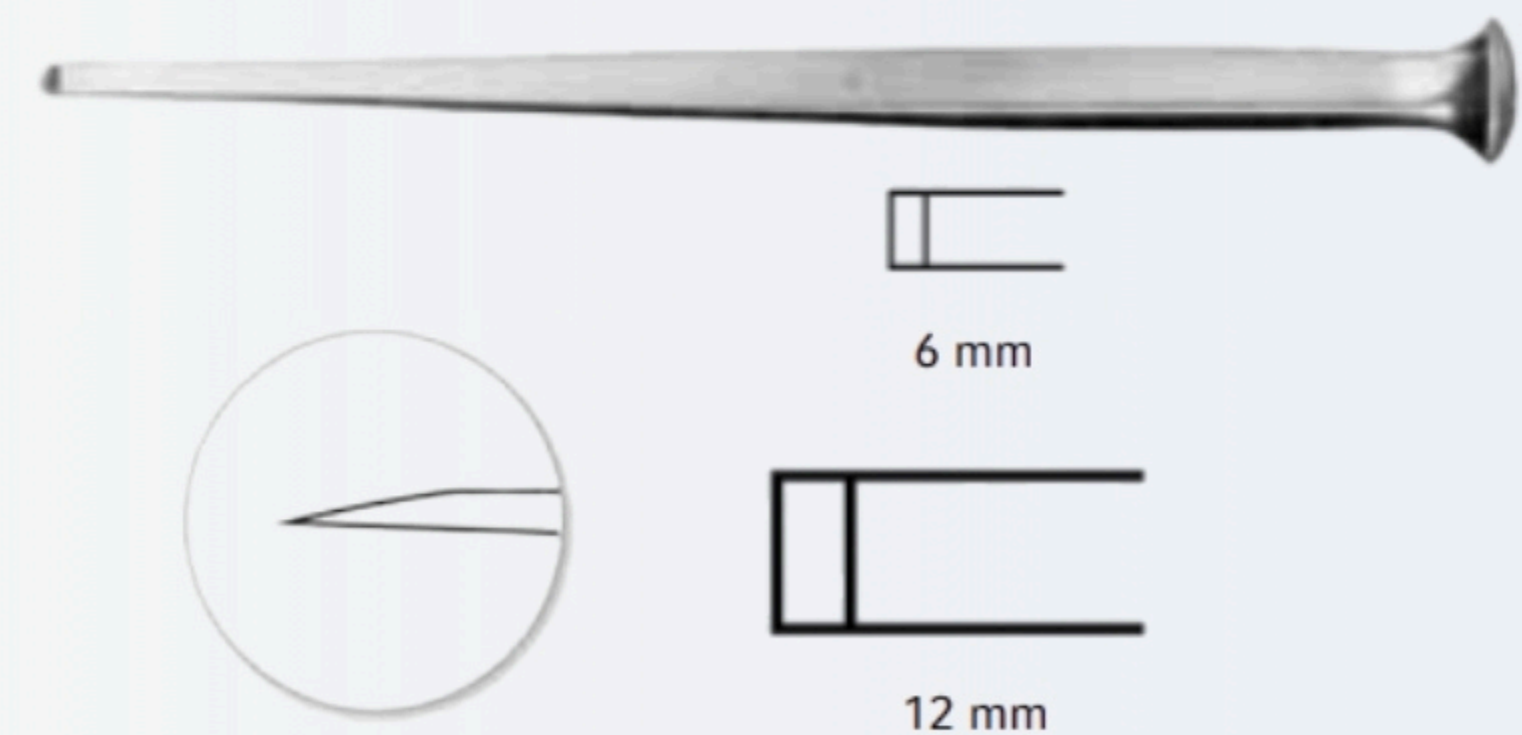
9" (23 cm).



CODE #	tip	TIP WIDTH
AW49073	Curved	1/4"
AW49074	Curved	3/8"
AW49075	Curved	1/2"
AW49076	Curved	5/8"
AW49077	Curved	3/4"
AW49078	Curved	1"
AW49081	Curved	1-1/4"
AW49082	Curved	1-1/2"
AW49059	Straight	1/4"
AW49060	Straight	3/8"
AW49061	Straight	1/2"
AW49062	Straight	5/8"
AW49063	Straight	3/4"
AW49064	Straight	1"
AW49065	Straight	1-1/4"
AW49066	Straight	1-1/2"

ARMY PATTERN CHISELS

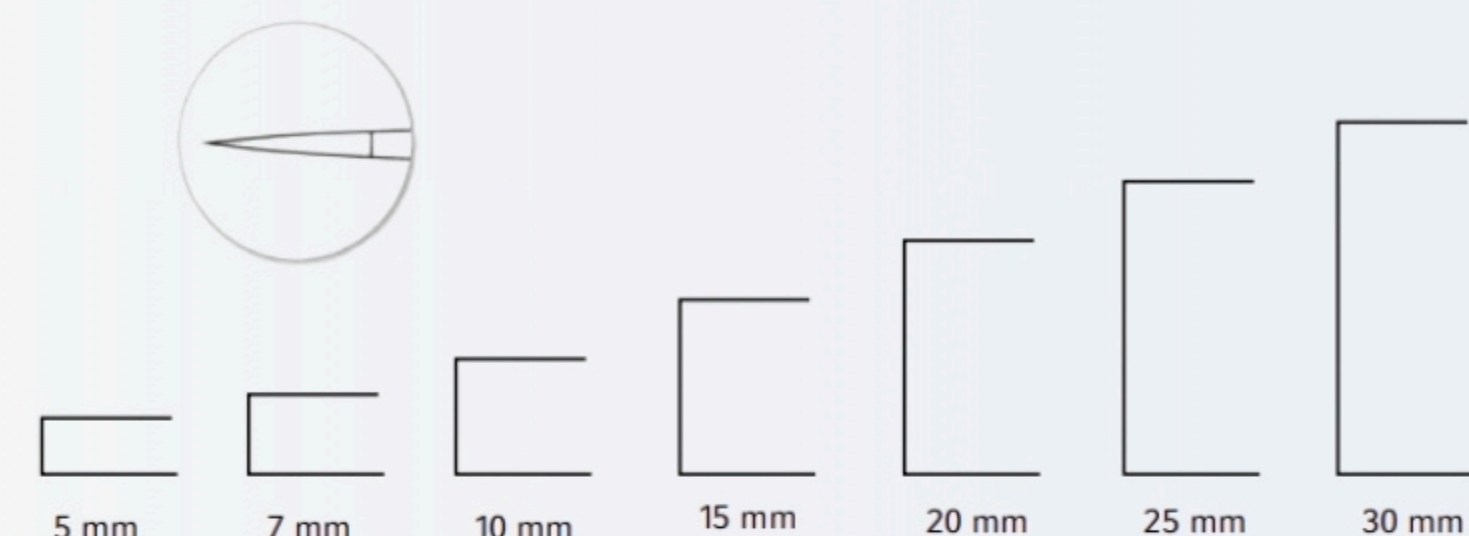
7-1/8" (18 cm).



CODE #	DESCRIPTION
AW46289	6 mm
AW46290	12 mm
AW46291	18 mm

LEXER CHISELS

Phenolic handle, 8-5/8" (22 cm).



CODE #	DESCRIPTION
AW49246	5 mm
AW49248	7 mm
AW49250	10 mm
AW49252	15 mm
AW49254	20 mm
AW49256	25 mm
AW49258	30 mm

LEXER MINI CHISELS

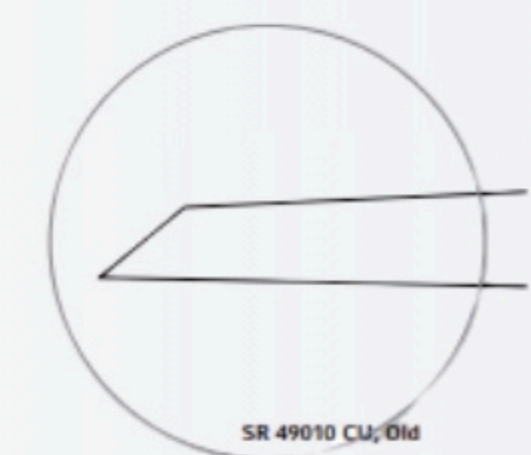
Phenolic handle, 7-1/8" (18 cm).



CODE #	DESCRIPTION
AW49260	4 mm
AW49262	6 mm
AW49264	8 mm
AW49266	10 mm
AW49268	12 mm

STILLE-TYPE CHISELS

8-1/8" (20.5 cm)

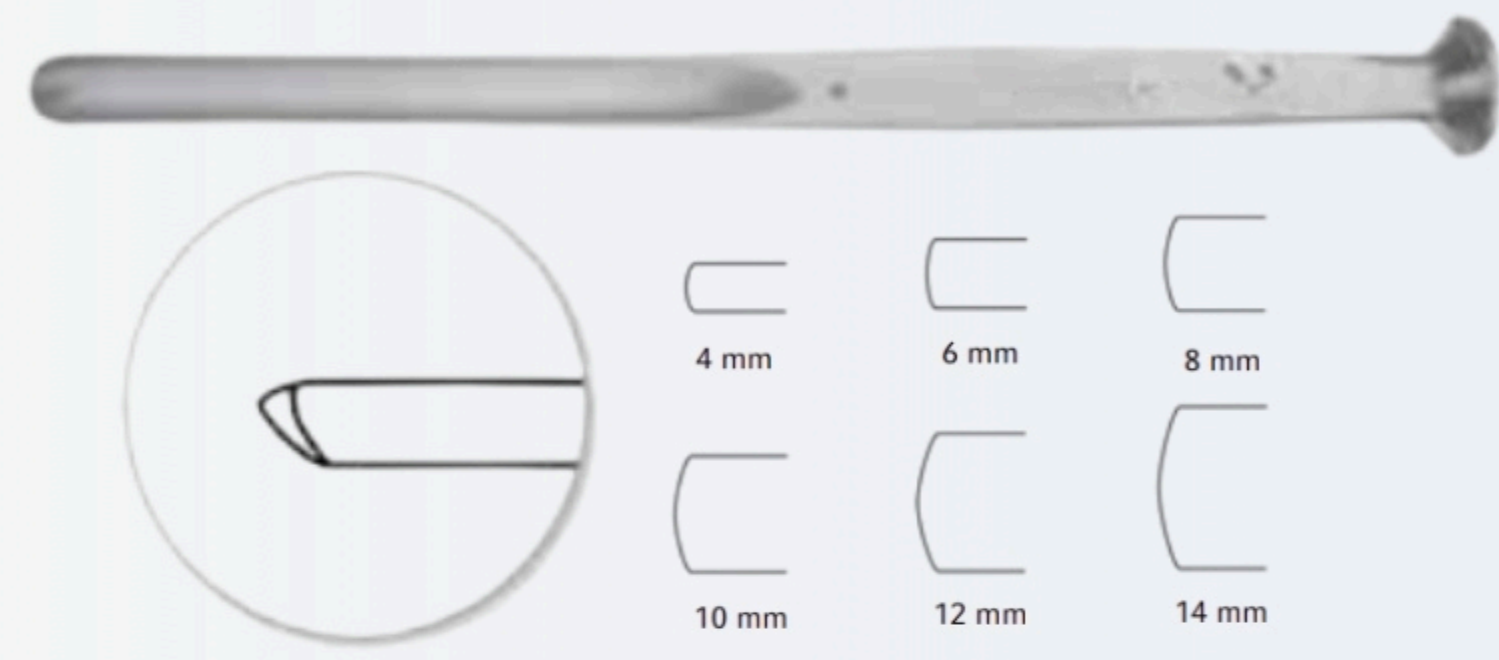


CODE #	DESCRIPTION
AW49010	10 mm
AW49012	14 mm
AW49014	18 mm
AW49016	22 mm

GOUGES

ALEXANDER GOUGES

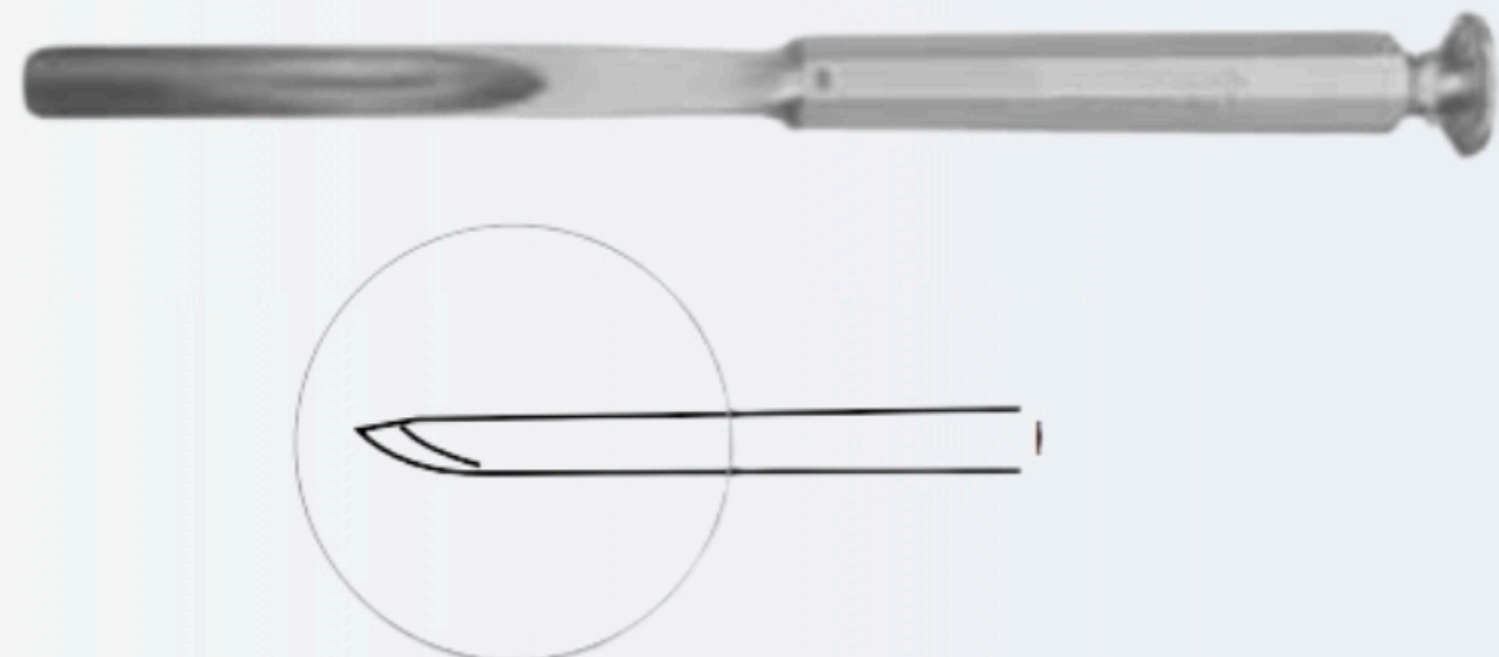
7" (18 cm).



CODE #	DESCRIPTION
AW49050	4 mm
AW49051	6 mm
AW49052	8 mm
AW49053	10 mm
AW49054	12 mm
AW49055	14 mm

STILLE-TYPE GOUGES

8" (20.5 cm).



CODE #	DESCRIPTION
AW49018	10 mm
AW49020	14 mm
AW49022	18 mm
AW49024	22 mm

U.S. ARMY PATTERN GOUGES

7" (18 cm).



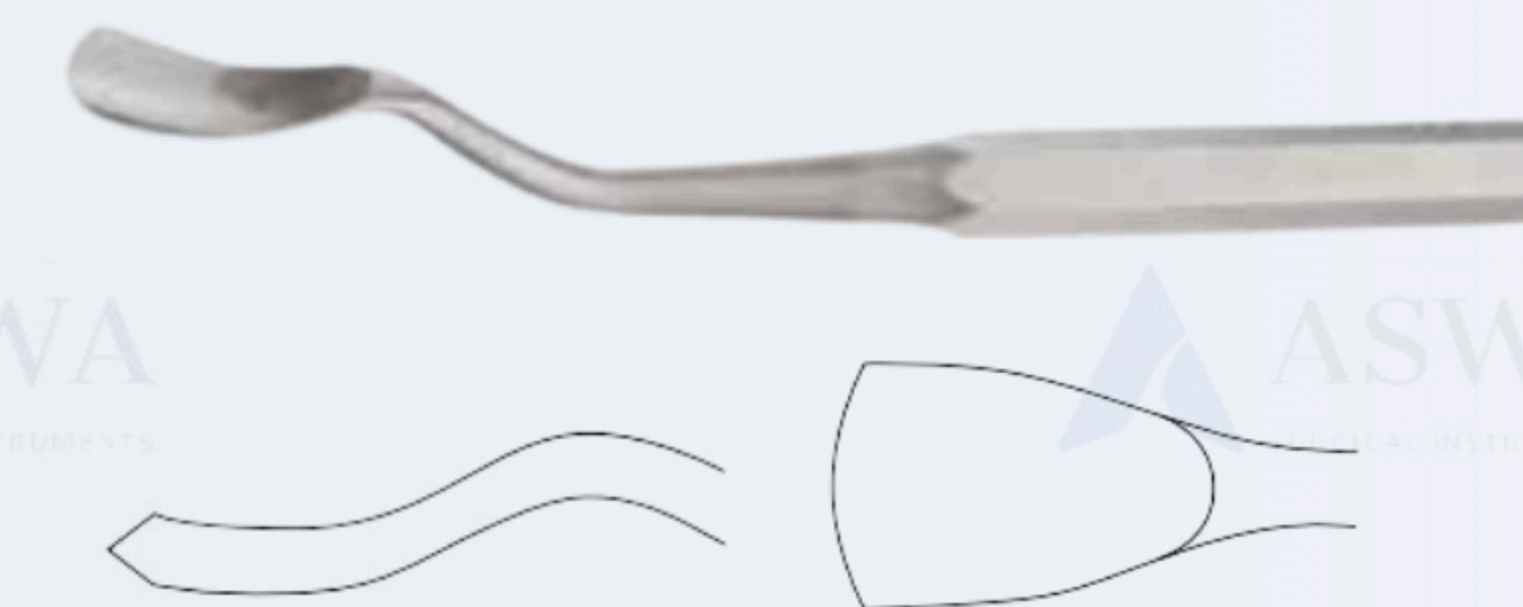
CODE #	DESCRIPTION
AW46292	6 mm
AW46293	12 mm
AW46294	14 mm

SHOULDER PENETRATING GOUGE



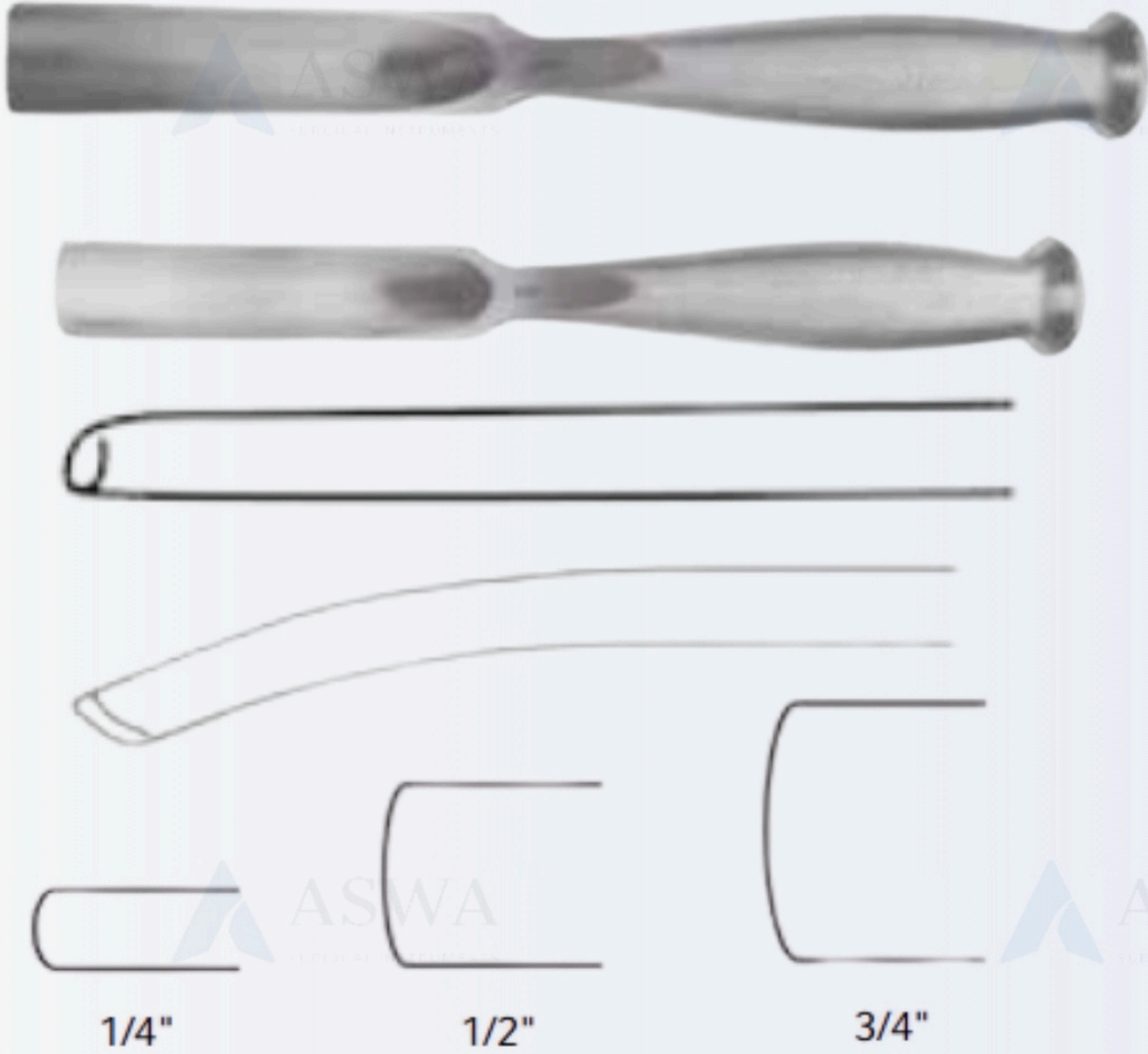
CODE #	DESCRIPTION
AW46919	3 mm tip, 8-1/2" (21.5 cm)

SWAN NECK GOUGE



CODE #	DESCRIPTION
AW49084	1" distal tip, 9" (23 cm)

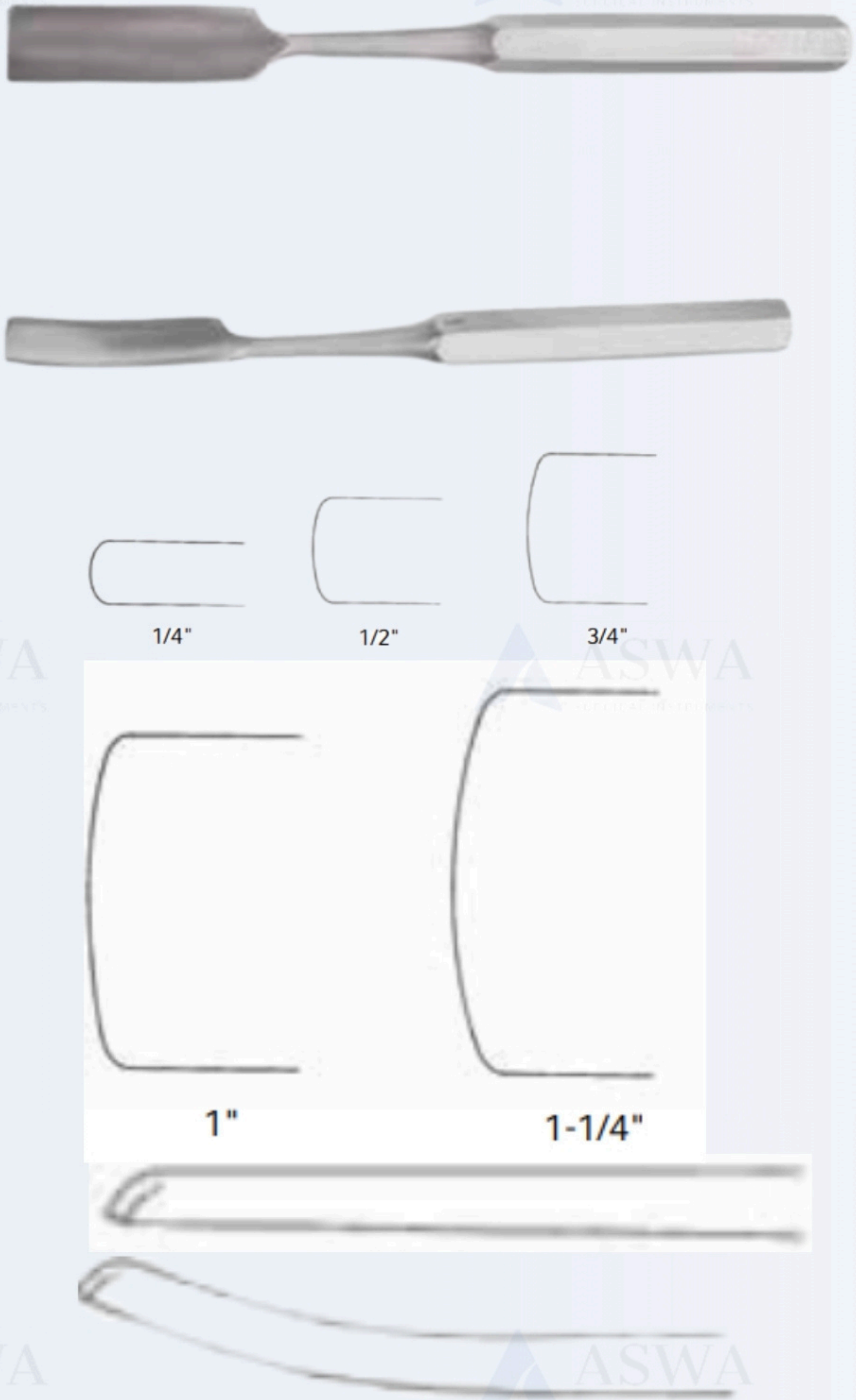
SMITH PETERSON GOUGES



CODE #	tip	TIP WIDTH
KM46466	Straight	1/4"
KM46467	Straight	3/8"
KM46468	Straight	1/2"
KM46476	Straight	5/8"
KM46477	Straight	3/4"
KM46478	Straight	1"
KM46479	Straight	1-1/4"
KM46487	Curved	1/4"
KM46488	Curved	3/8"
KM46489	Curved	1/2"
KM46490	Curved	5/8"
KM46491	Curved	3/4"
KM46493	Curved	1"
KM46495	Curved	1-1/4"

HIBBS GOUGES

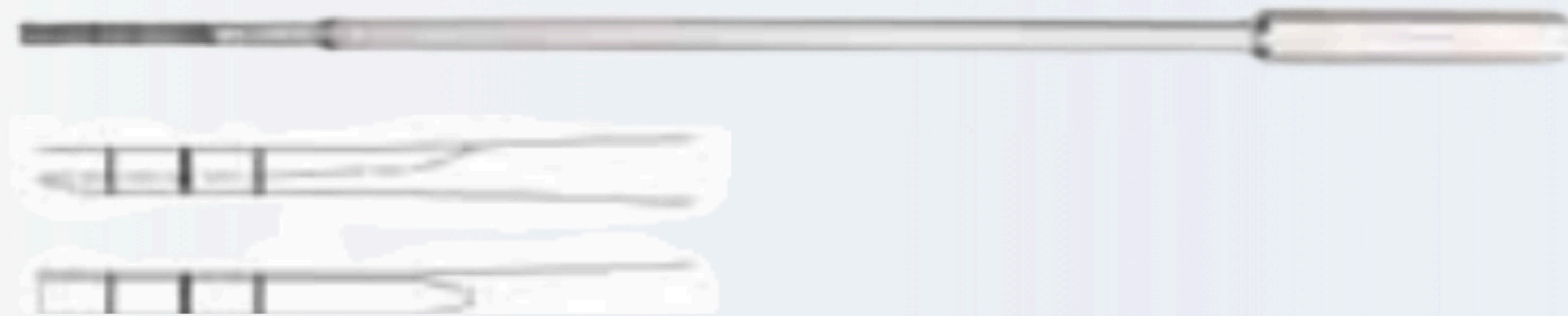
9" (23 cm).



CODE #	tip	TIP WIDTH
KM46387	Straight	1/4"
KM46388	Straight	3/8"
KM46389	Straight	1/2"
KM46390	Straight	5/8"
KM46391	Straight	3/4"
KM46392	Straight	1"
KM46395	Straight	1-1/4"
KM46401	Straight	1-1/2"
KM46402	Curved	1/4"
KM46403	Curved	3/8"
KM46404	Curved	1/2"
KM46405	Curved	5/8"
KM46407	Curved	3/4"
KM46409	Curved	1"
KM46411	Curved	1-1/4"
KM46412	Curved	1-1/2"

HIBBS ENDOSCOPIC GOUGE

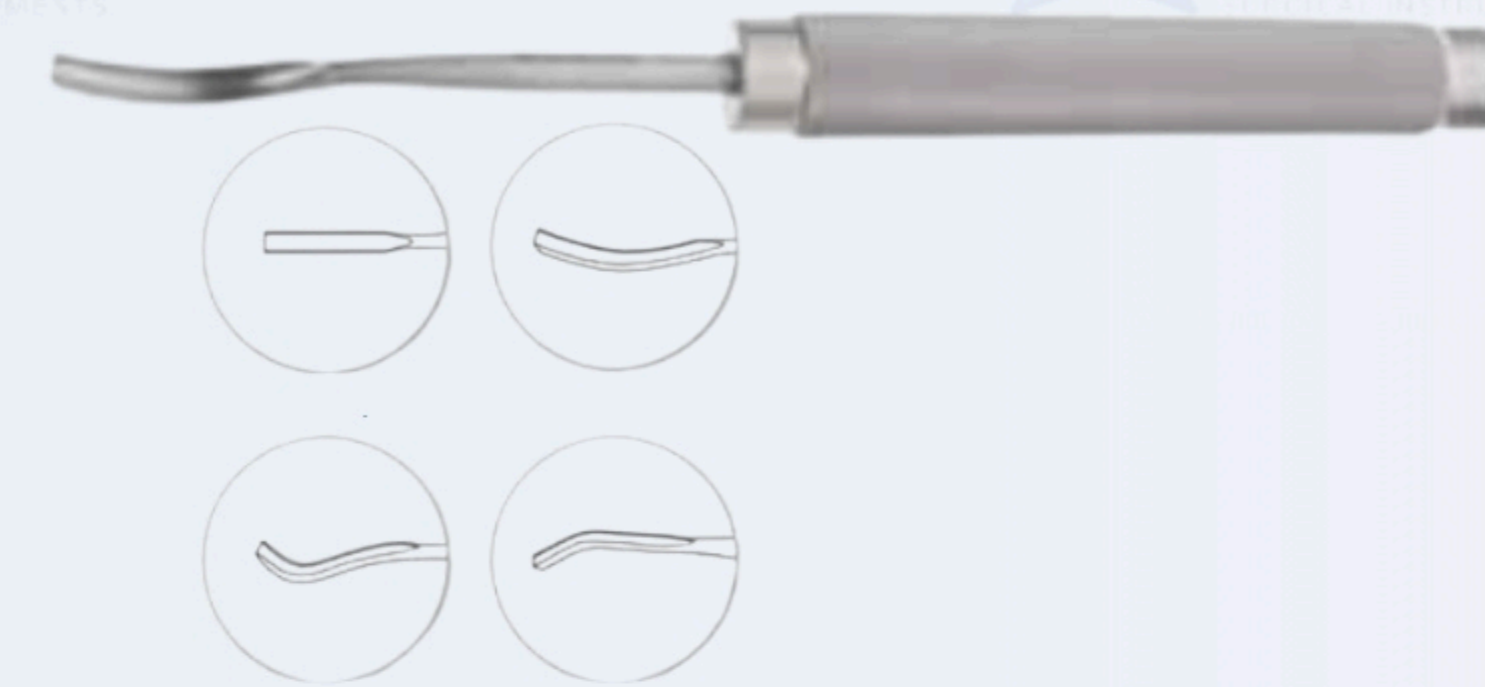
Straight tip, stainless steel handle, 18-1/2" (47 cm).



CODE #	TIP WIDTH	TIP LENGTH	SHAFT LENGTH	SHAFT DIAMETER	HANDLE LENGTH
AW5563 0	0.28" (7 mm)	3-1/2"	10-3/4"	0.43"	4-1/4"

COBB-TYPE SPINAL GOUGES

All stainless, with knurled handle, 5/32" (7 mm) distal tip, 11" (28 cm).



CODE #	DESCRIPTION
AW49030	Straight
AW49032	Medium curve
AW49034	Strong curve
AW49036	Reverse curve